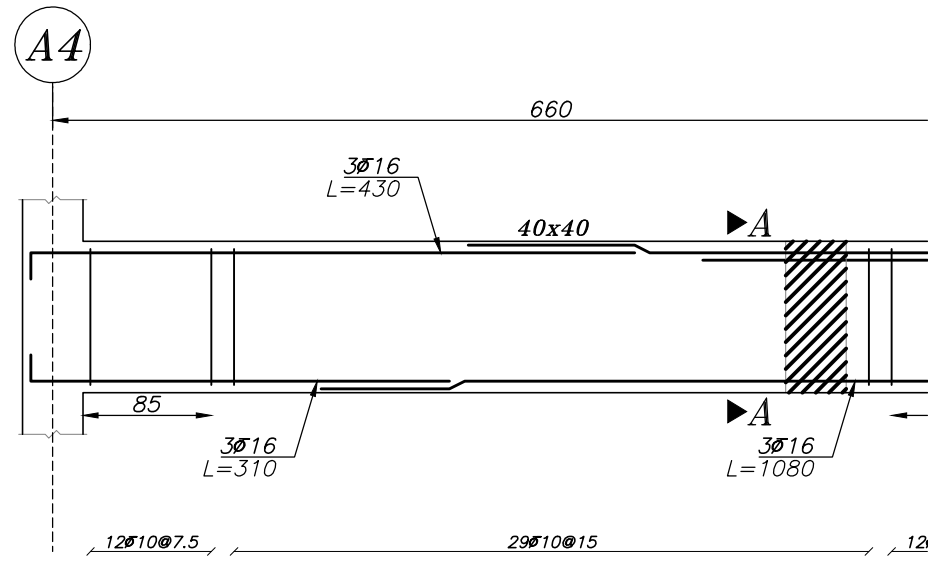


SEC A-A

Scale 1:10
 Clear dist of Top Bars: 8cm
 Clear dist of Bot Bars: 13cm



Beam Typ. B-1

Elev: 310
 H Scale 1:50
 V Scale 1:20

